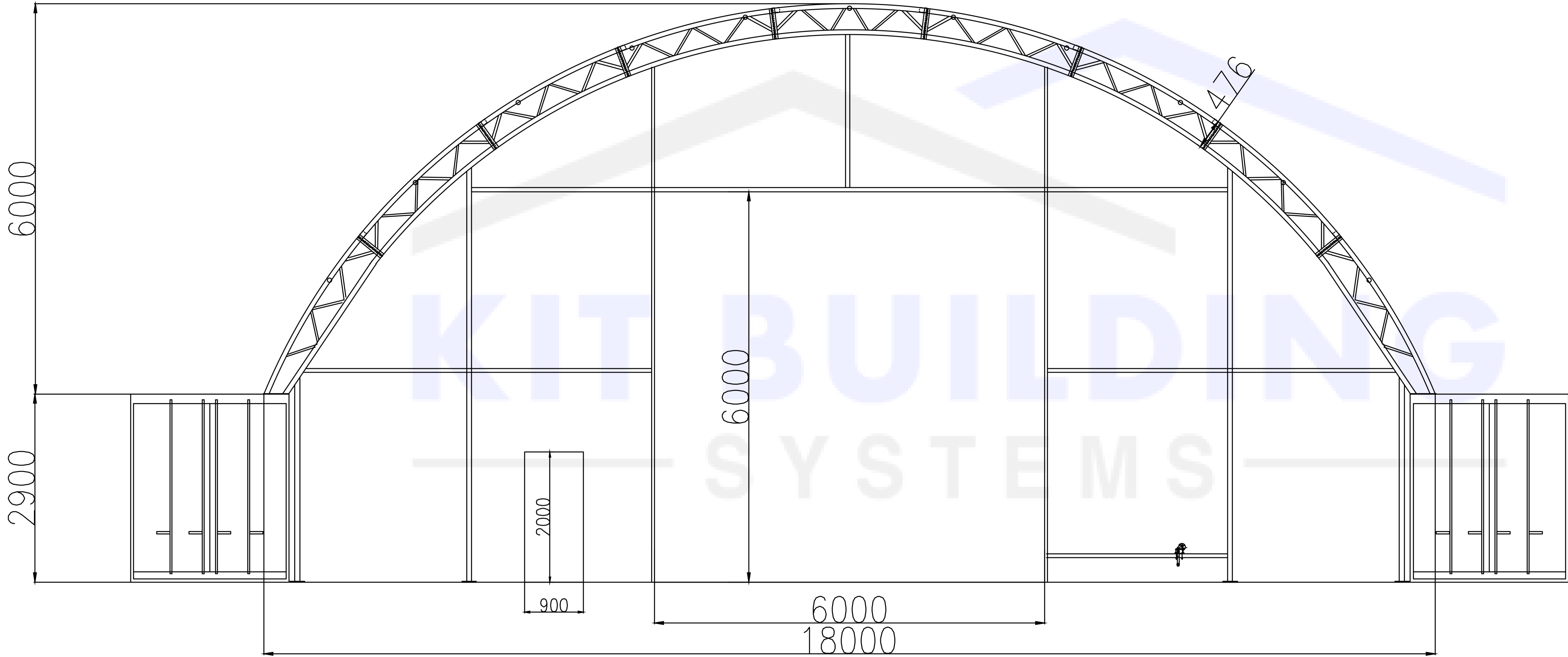


Container Canopy



PROJECT TITLE
 Container Canopy
 18m x 12m x 6m | 60' x 40' x 20'
 Width x Depth x Height

NOTES

WORKING DRAWING
DRAWING BY: Dawid Chomicz
CHECKED BY: Cameron Newbold
PROJECT: CC-PVC-RDT-18126 -GREY
 SCALE N.T.S | 27.08.2025

Width: 18m | 60'
 Depth: 12m | 40'
 Eave Height: 2.9m | 9'5"
 Overall Height: 6m | 20'
 Arch Distance: 3m | 9'8"
 Opening Clearance: 6m | 20'

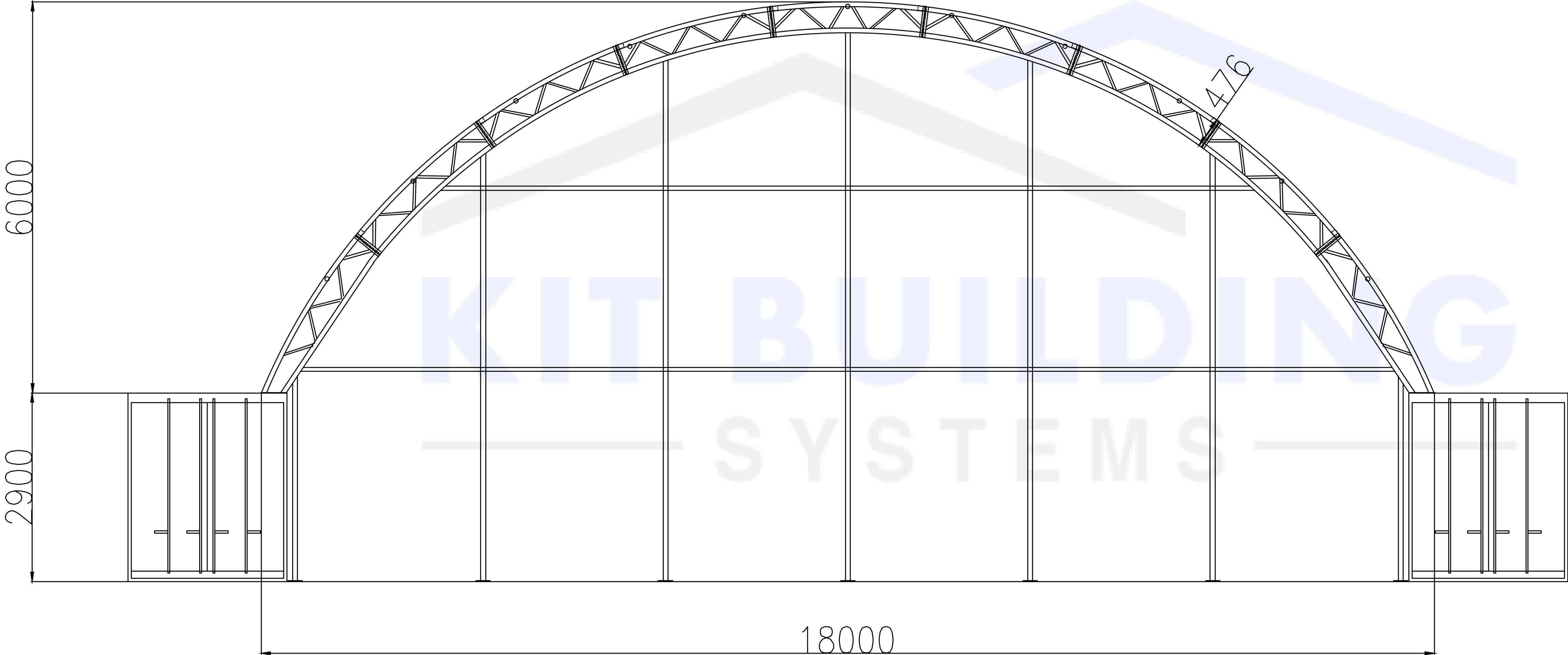
| REVISIONS | | |
|-----------|-------------|------------|
| Sr. | DESCRIPTION | DATE |
| | | 27.08.2025 |

CLIENT
 Container Canopy
 Standard Model

| | | | | | |
|-------------------------------------|--|---|--|-----------------------------|---|
| Steel Frame: CHS Double Truss | Covering: 610g/m ² 22oz/sq yd | Arch Tube Thickness: 76mm x 2mm 2.99" x x 0.08" | Purling Tube Thickness: 60mm x 1.5mm 2.36" x x 0.06" | Eave Height: 2.9m 9'5" | Opening/Shutter Size WxH: 6m x 6m 20' x 20' |
|-------------------------------------|--|---|--|-----------------------------|---|

| | | |
|---|--|-------------|
| Shutter Type: Winch operated shutter | Pedestrian door WxH Quantity: 1 Size: 0.9m x 2m 3' x 6'6" Material: Painted Steel | PAGE 1 OF 3 |
|---|--|-------------|

Container Canopy



PROJECT TITLE
 Container Canopy
 18m x 12m x 6m | 60' x 40' x 20'
 Width x Depth x Height

NOTES

WORKING DRAWING
DRAWING BY: Dawid Chomicz
CHECKED BY: Cameron Newbold
PROJECT: CC-PVC-RDT-18126 -GREY
 SCALE N.T.S | 27.08.2025

Width: 18m | 60'
 Depth: 12m | 40'
 Eave Height: 2.9m | 9'5"
 Overall Height: 6m | 20'
 Arch Distance: 3m | 9'8"
 Opening Clearance: 6m | 20'

| REVISIONS | | |
|-----------|-------------|------------|
| Sr. | DESCRIPTION | DATE |
| | | 27.08.2025 |

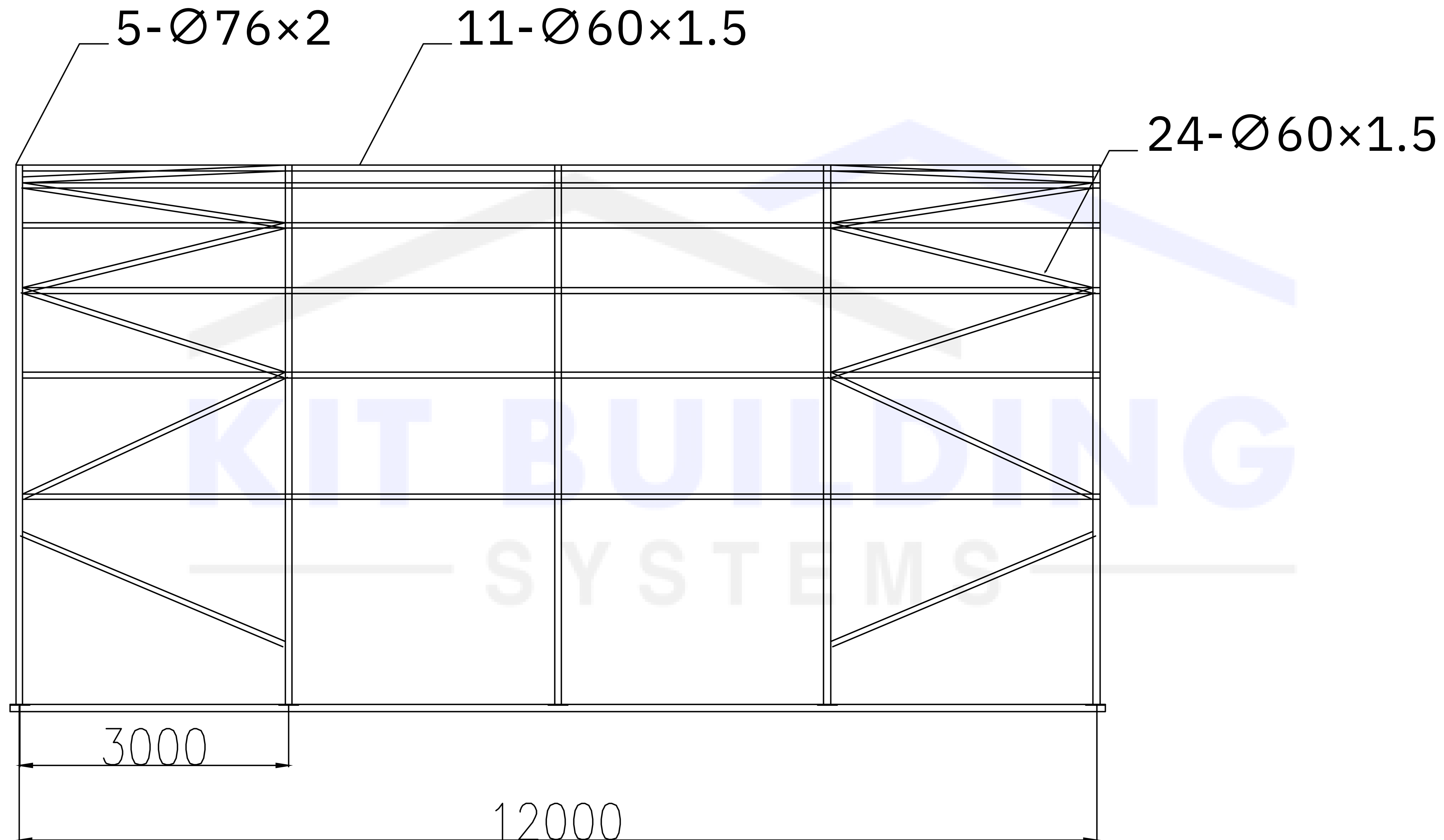
CLIENT
 Container Canopy
 Standard Model

| | | | | | |
|-------------------------------------|--|---|--|-----------------------------|---|
| Steel Frame: CHS Double Truss | Covering: 610g/m ² 22oz/sq yd | Arch Tube Thickness: 76mm x 2mm 2.99" x x 0.08" | Purling Tube Thickness: 60mm x 1.5mm 2.36" x x 0.06" | Eave Height: 2.9m 9'5" | Opening/Shutter Size WxH: 6m x 6m 20' x 20' |
|-------------------------------------|--|---|--|-----------------------------|---|

| | | | |
|------------------------|---|--|--------------------|
| BACK ELEVATIONS | Shutter Type: Winch operated shutter | Pedestrian door WxH Quantity: 1 Size: 0.9m x 2m 3' x 6'6" Material: Painted Steel | PAGE 2 OF 3 |
|------------------------|---|--|--------------------|

KIT BUILDING
 —SYSTEMS—
 WWW.KITBUILDINGS.COM

Container Canopy



PROJECT TITLE

Container Canopy
18m x 12m x 6m | 60' x 40' x 20'
Width x Depth x Height

NOTES

WORKING DRAWING

DRAWING BY: Dawid Chomicz

CHECKED BY: Cameron Newbold

PROJECT: CC-PVC-RDT-18126 -GREY

SCALE N.T.S

27.08.2025

Width: 18m | 60'
Depth: 12m | 40'
Eave Height: 2.9m | 9'5"
Overall Height: 6m | 20'
Arch Distance: 3m | 9'8"
Opening Clearance: 6m | 20'

REVISIONS

| Sr. | DESCRIPTION | DATE |
|-----|-------------|------------|
| | | 27.08.2025 |

CLIENT

Container Canopy
Standard Model

| | | | | | |
|-------------------------------------|--|---|--|-----------------------------|---|
| Steel Frame: CHS Double Truss | Covering: 610g/m ² 22oz/sq yd | Arch Tube Thickness: 76mm x 2mm 2.99" x x 0.08" | Purling Tube Thickness: 60mm x 1.5mm 2.36" x x 0.06" | Eave Height: 2.9m 9'5" | Opening/Shutter Size WxH: 6m x 6m 20' x 20' |
|-------------------------------------|--|---|--|-----------------------------|---|

| | |
|---|--|
| Shutter Type: Winch operated shutter | Pedestrian door WxH Quantity: 1 Size: 0.9m x 2m 3' x 6'6" Material: Painted Steel |
|---|--|

PAGE 3 OF 3

KIT BUILDING
— SYSTEMS —
WWW.KITBUILDINGS.COM

SIDE ELEVATIONS